

EROSION CONTROL PLAN
SCALE: 1"=10'

NOTES:

- REFERENCE IS MADE TO THE FOLLOWING:
 - BOUNDARY, TOPOGRAPHIC, & UTILITY SURVEYS PREPARED FOR THE UNIVERSITY OF SOUTH CAROLINA BY BP BARBER & ASSOCIATES, DATED MAY 16, 2007 THROUGH OCTOBER 4, 2007.
 - CONSTRUCTION PLANS FOR THE USC ATHLETIC VILLAGE INFRASTRUCTURE DEVELOPMENT CONSTRUCTION PROJECT PREPARED BY BP BARBER & ASSOCIATES, DATED JANUARY 20, 2010, WITH REVISIONS (BP BARBER PROJECT NUMBER 07578).
 - CONSTRUCTION PLANS FOR THE USC SOFTBALL STADIUM CONSTRUCTION PROJECT PREPARED BY URS CORPORATION, DATED MARCH 16, 2012, WITH REVISIONS (URS PROJECT NUMBER 46422193).
 - CONSTRUCTION PLANS FOR THE USC ATHLETIC VILLAGE SAND VOLLEYBALL COURT CONSTRUCTION PROJECT PREPARED BY URS CORPORATION, DATED MAY 30, 2013, WITH REVISIONS (URS PROJECT NUMBER 46422848).
- ALL ELEVATIONS SHOWN ARE BASED ON:
HORIZONTAL: SOUTH CAROLINA STATE PLANE COORDINATE NAD 83
VERTICAL: NAVD 88
- VERIFY ALL FIELD CONDITIONS AND THE EXACT LOCATIONS OF ALL UNDERGROUND UTILITIES PRIOR TO BEGINNING DEMOLITION AND CONSTRUCTION. IF CONDITIONS ARE DIFFERENT FROM THAT SHOWN ON THE PLANS, STOP WORK AND NOTIFY THE ENGINEER.
- ALL WORK FOR THE PROJECT SHALL CONFORM TO THE PROJECT SPECIFICATIONS FOUND IN THE PROJECT MANUAL (CONTRACT DOCUMENTS AND SPECIFICATIONS).
- PROMPTLY INFORM THE ENGINEER OF ANY DISCREPANCY DISCOVERED IN THESE DRAWINGS OR SPECIFICATIONS OR CONFLICT BETWEEN THE DRAWINGS OR SPECIFICATIONS.
- THESE CIVIL/SITE PLANS ARE PART OF THE OVERALL PROJECT PLAN SET. REVIEW PLANS OF ALL TRADES FOR CONSTRUCTION COORDINATION AND NOTIFY THE ENGINEER OF ANY CONFLICTS PRIOR TO BEGINNING CONSTRUCTION.
- BURNING OF ANY MATERIAL, DEBRIS, OR TRASH ON SITE WILL NOT BE PERMITTED.
- ALL DEMOLITION DEBRIS TO BE REMOVED SHALL BE DISPOSED OF OFF-SITE IN ACCORDANCE WITH ALL LOCAL, STATE AND FEDERAL REGULATIONS AND SPECIFICATIONS, LATEST REVISION. IN ADDITION TO INFORMATION OBTAINED FROM SITE VISITS AND A FIELD SURVEY, THE EXISTING UNDERGROUND UTILITIES SHOWN HEREIN ARE BASED ON A COMBINATION OF AVAILABLE SOURCE INFORMATION PROVIDED BY OTHERS, INCLUDING AS-BUILT DRAWINGS AND EXISTING UTILITIES RECORDS AND/OR MAPS. A CONCERTED EFFORT TO LOCATE ALL EXISTING UTILITIES WAS MADE, HOWEVER, LOCATION OF UNDERGROUND UTILITIES AS SHOWN ARE APPROXIMATE AND FOR INFORMATION PURPOSES ONLY. THE EXACT LOCATION OF ALL UNDERGROUND UTILITIES SHALL BE VERIFIED AND ANY AND ALL DAMAGES RESULTING FROM THE FAILURE TO DO SO SHALL BE REPAIRED AT NO EXPENSE TO THE OWNER. CONTACT PALMETTO UTILITY PROTECTION SERVICE (PUPS) AND OTHER LOCAL AND REGIONAL UTILITY COMPANIES AT LEAST 72 HOURS PRIOR TO COMMENCING CONSTRUCTION FOR LOCATION OF UTILITIES.

GRASSING NOTES

NOTE:
THESE SCHEDULES ARE FOR TEMPORARY SEEDING ONLY, PROVIDE BERMUDA SODDING AS PERMANENT VEGETATIVE COVER

GRASSING SCHEDULE NO. 1 - PLANTING DATES MARCH 1 TO AUGUST 15:

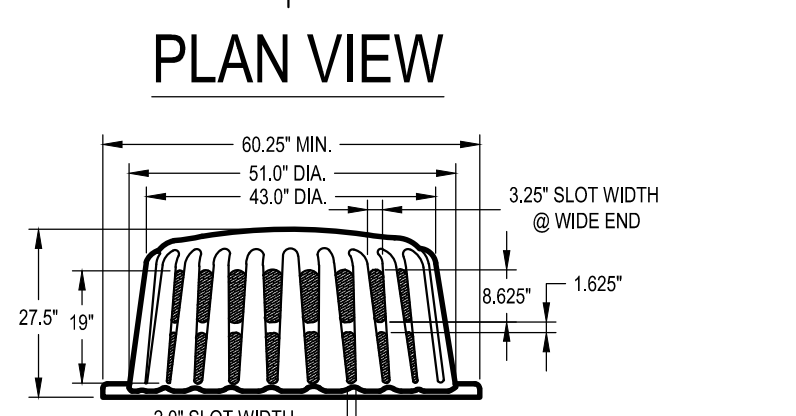
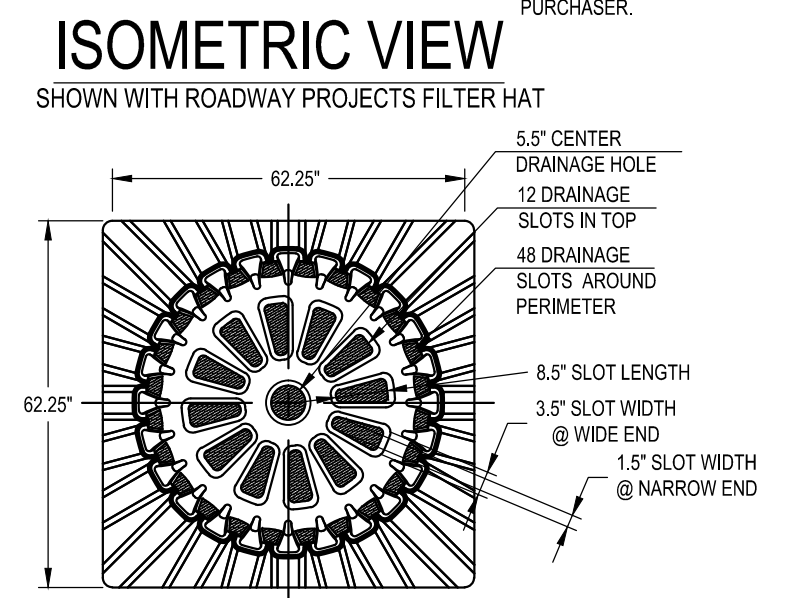
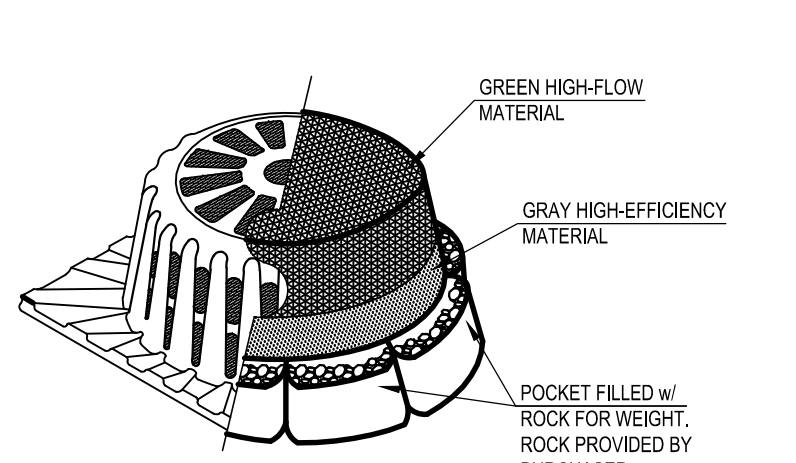
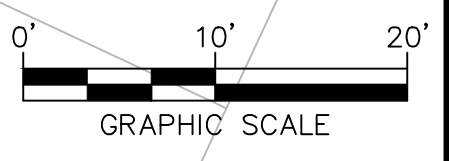
- SEED THESE AREAS IMMEDIATELY UPON COMPLETION OF GRADING OR CONSTRUCTION AND CLEAN-UP OPERATIONS.
 - SLOPES GREATER THAN FOUR HORIZONTAL TO ONE VERTICAL.
 - UTILITY RIGHTS-OF-WAY ADJACENT TO STREAM BANKS.
- AREAS READY FOR PLANTING BETWEEN AUGUST 16 AND FEBRUARY 28 SHALL BE PLANTED WITH A TEMPORARY COVER OF SCHEDULE NO. 2. AT THE ACCEPTABLE SEASONS FOR PLANTING SCHEDULE NO. 1, THE TURF SHALL BE DESTROYED BY REWORKING THE SOIL, AND SCHEDULE NO. 1 SEEDING ESTABLISHED AS SPECIFIED HEREIN.
- USE RATE A LBS. PER 1000 SQ. FT. ON SLOPES OVER 5' HORIZONTAL TO 1' VERTICAL IN HEIGHT AND USE RATE B LBS. PER 1000 SQ. FT. ON SLOPES LESS THAN 5' HORIZONTAL TO 1' VERTICAL.
- SEE GRASSING SPECIFICATIONS (SECTION 02930) FOR ADDITIONAL REQUIREMENTS.

GRASSING SCHEDULE NO. 2 - PLANTING DATES AUGUST 16 - FEBRUARY 28:

COMMON NAME OF SEED	RATE A	RATE B
RYE GRAIN	1	1
COMMON BERMUDA (HULLED)	0	1.5
SERICEA LESPEDEZA (CLAY SOILS)	1	0
WEEPING LOVE GRASS (SANDY SOILS)	1	0
CENTPEDE	0.5	0.5
FERTILIZER	18-25	18-25

GRASSING SCHEDULE NO. 2 - PLANTING DATES AUGUST 16 - FEBRUARY 28:

COMMON NAME OF SEED	RATE A	RATE B
RYE GRAIN	0	1
COMMON BERMUDA (HULLED)	0	1.5
BROWN TOP MILLET	5	0
COMMON BERMUDA (UNHULLED)	0	2.0
FERTILIZER	18-25	18-25



FILTER OPTIONS
FILTER HAT IS AVAILABLE IN THREE OPTIONS:
1) ALL HIGH-FLOW MATERIAL
2) ALL HIGH-EFFICIENCY MATERIAL
3) HIGH-FLOW MATERIAL ON TOP HALF OF HAT, HIGH-EFFICIENCY MATERIAL ON BOTTOM HALF (THIS FILTER COVER IS RECOMMENDED FOR ALL ROADWAY PROJECTS)
IT IS THE PURCHASER'S RESPONSIBILITY TO PURCHASE APPROPRIATE FILTER HAT. PURCHASER SHALL PROVIDE ROCK FOR FILTER POCKETS.

FRAME & FILTER DISCHARGE ANALYSIS

HEAD (FT)	EQUATION USED	OPENING AREA (SF)	FRAME FLOW (CFS)	FILTER AREA (SF)	FILTERED FLOW (CFS)
0.5	O	2.1	7	6	2
1.0	O	3.9	19	12	3
1.5	O	7.0	41	18	5
2.0	O	8.0	54	24	7
2.5	O	9.2	70	30	9
3.0	O	9.2	77	—	77

FRAME & FILTER DISCHARGE ANALYSIS

HEAD (FT) EQUATION USED OPENING AREA (SF) FRAME FLOW (CFS) FILTER AREA (SF) FILTERED FLOW (CFS)

FRAME & FILTER DISCHARGE ANALYSIS

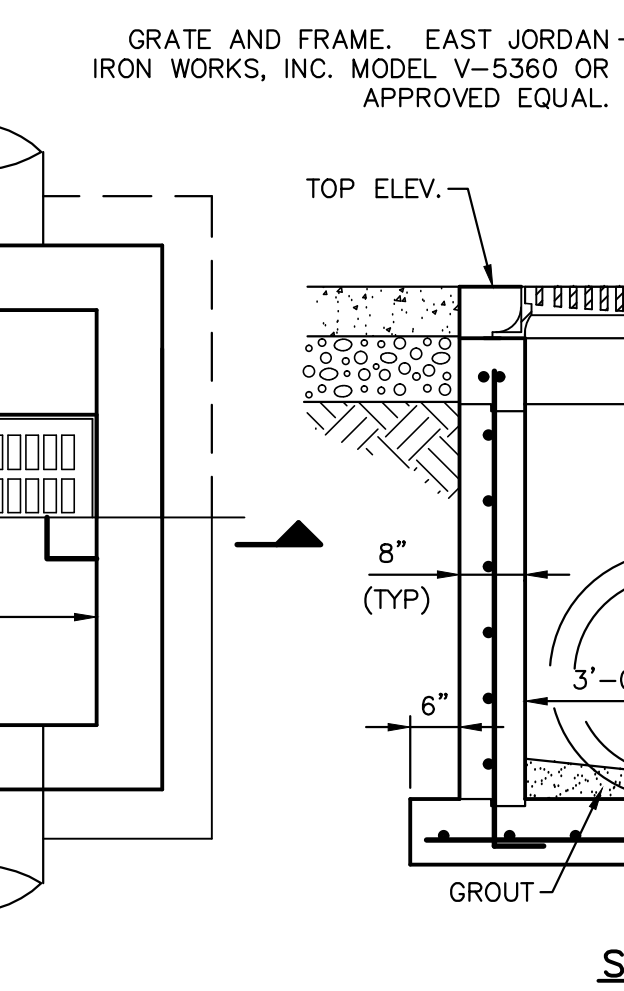
HEAD (FT) EQUATION USED OPENING AREA (SF) FRAME FLOW (CFS) FILTER AREA (SF) FILTERED FLOW (CFS)

FRAME & FILTER DISCHARGE ANALYSIS

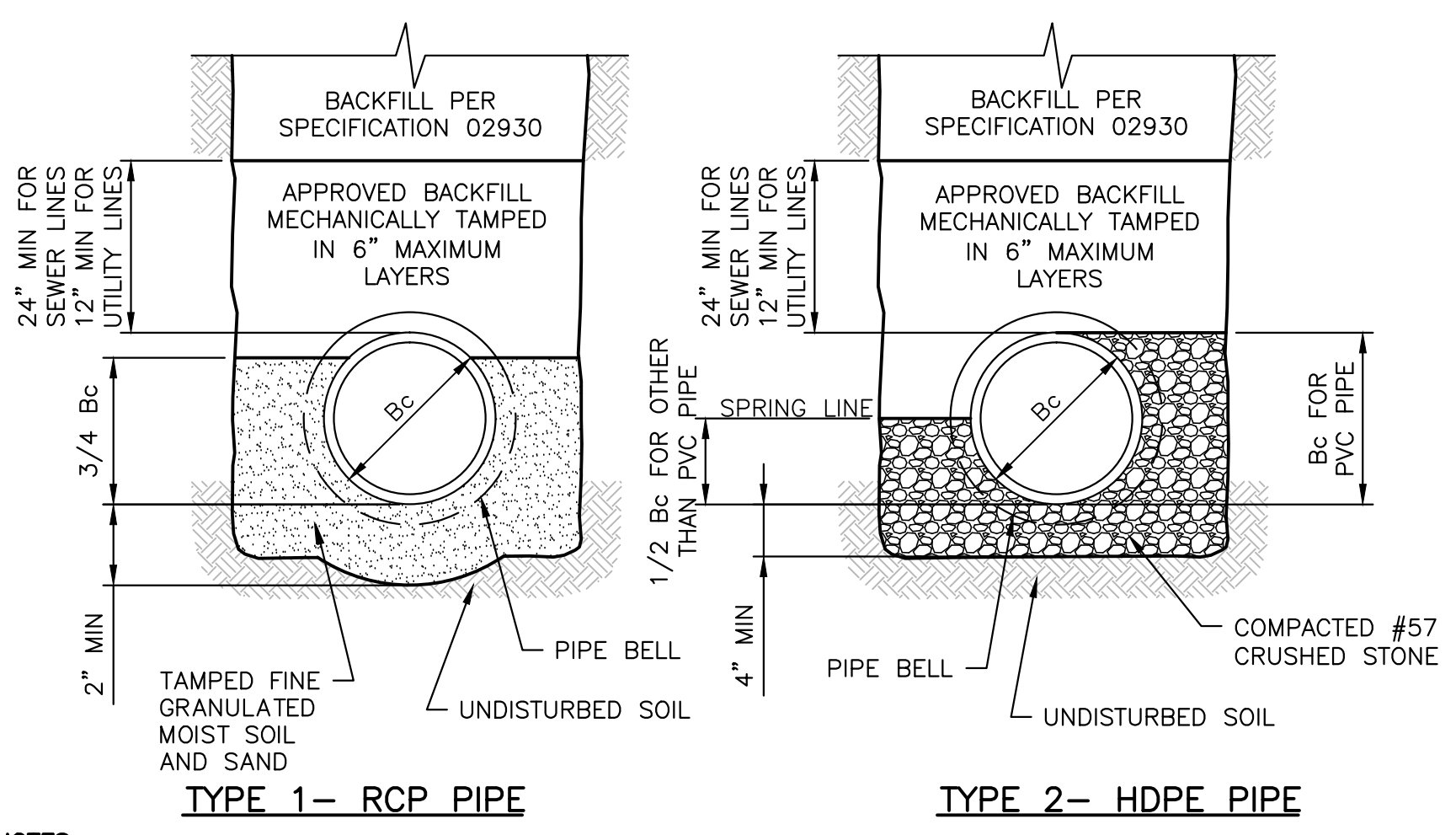
HEAD (FT) EQUATION USED OPENING AREA (SF) FRAME FLOW (CFS) FILTER AREA (SF) FILTERED FLOW (CFS)

FRAME & FILTER DISCHARGE ANALYSIS

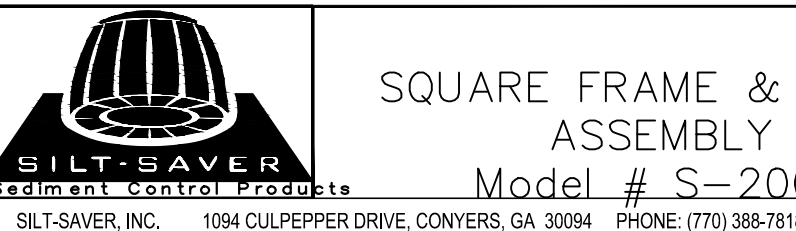
HEAD (FT) EQUATION USED OPENING AREA (SF) FRAME FLOW (CFS) FILTER AREA (SF) FILTERED FLOW (CFS)



NOTES:
FOR PIPES OVER 24" I.D. MAKE LENGTH & WIDTH OF DI = O.D. OF PIPE + 6" EACH SIDE.



NOTES:
1. 1/4 Bc HAND SHAPED BOTTOM - SHAPE BELL HOLES FOR USE IN DRY EARTH TRENCHES ONLY. APPLICABLE TO BOTH EARTH AND ROCK TRENCHES.



TEMPORARY INLET PROTECTION
DETAIL
SCALE: NONE

3 DAYS BEFORE DIGGING IN SOUTH CAROLINA

South Carolina 811
Call 811 Before you Dig

PALMETTO UTILITY PROTECTION SERVICE, INC. (PUPS)

ALL UTILITIES MAY NOT BE A MEMBER OF PUPS. COORDINATE WITH LOCAL UTILITY COMPANIES FOR MARKING OF THEIR UTILITIES ALSO.

BID DOCUMENTS
THESE DOCUMENTS ARE FOR THE PURPOSE OF SOLICITATION OF BIDS AND ARE NOT FOR USE FOR CONSTRUCTION

REVISIONS

NO.	DESCRIPTION	DATE	BY

APPROVALS

PROJECT ENG.	DESIGNED BY	DRAWN BY	CHECKED BY	APPROVED:

URS CORPORATION
CERTIFIED

URS
an AECOM company

101 Research Drive
Columbia, South Carolina 29203
Telephone (803) 254-4400 ; Fax (803) 771-6676
www.aecom.com

EROSION CONTROL PLAN

USC TENNIS EROSION CONTROL REPAIR
PREPARED FOR THE UNIVERSITY OF SOUTH CAROLINA

TEMPORARY INLET PROTECTION

DATE: JUNE 9, 2015 **SCALE:** AS SHOWN

DWG NAME SHEET
N.B. NO. 1 OF
REF. PROJECT NO. 46423775
FILE NO. 36,531-1-B91